

The wooden FinMouse!

Fair IT yourself 3D-Design Contest 2021

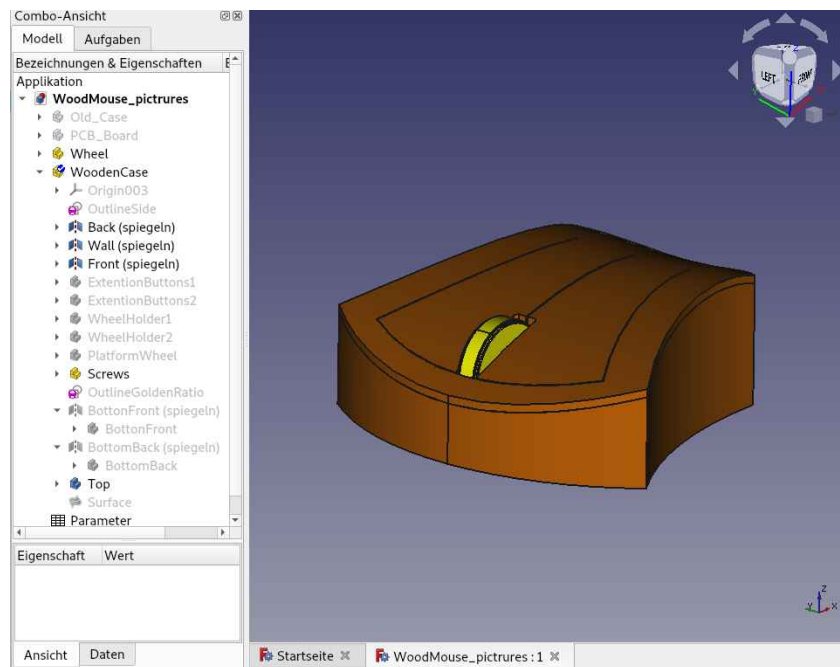


LibrEars & Cyberlich

The wooden FinMouse!



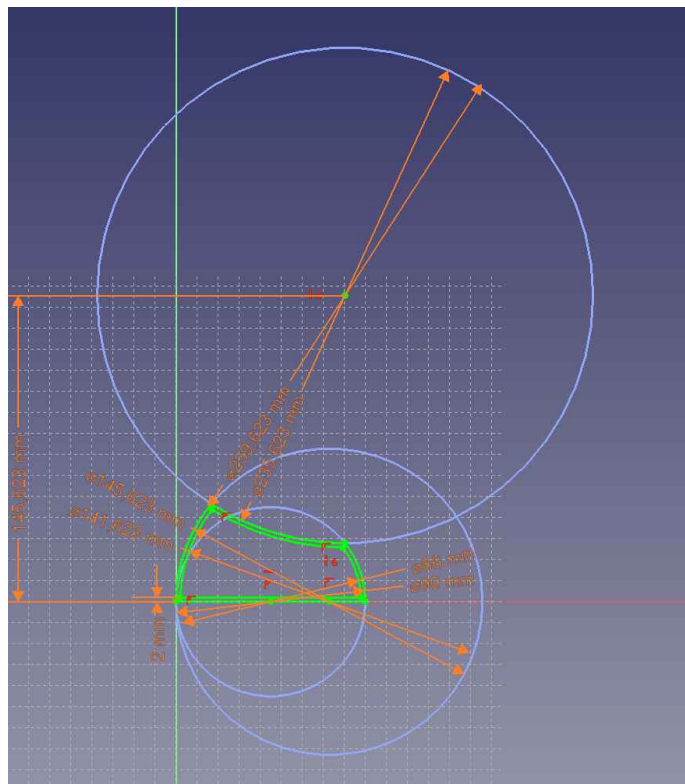
Designed with FreeCAD →
Open-Source-Hardware



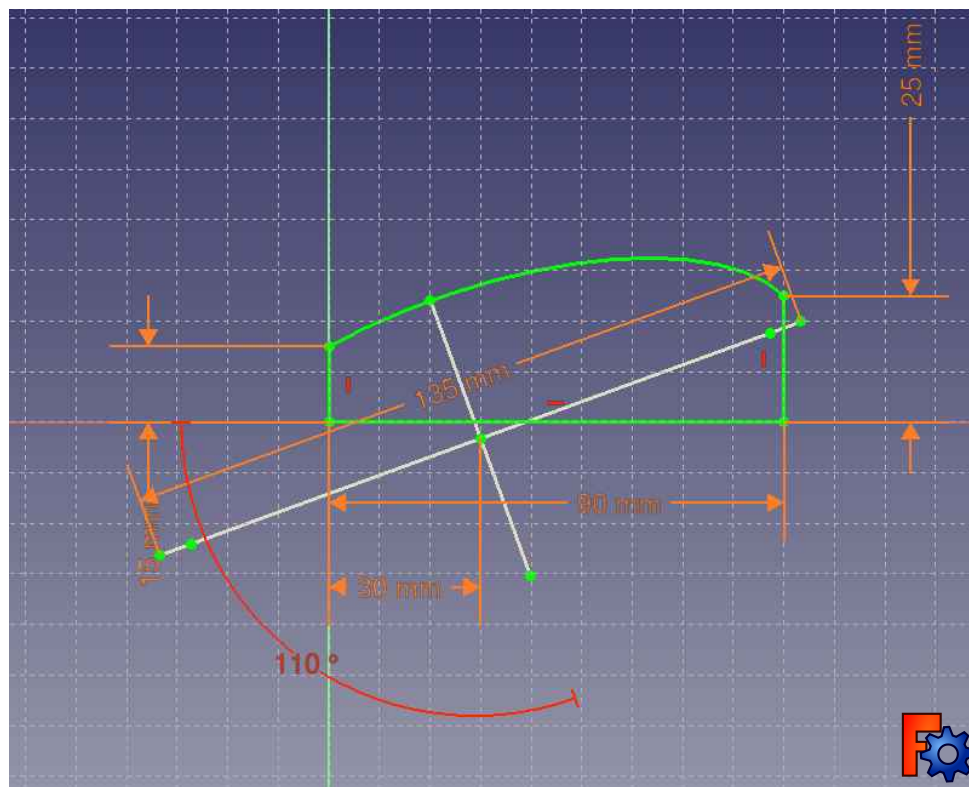
- Puristic geometric shapes
- Better grip for larger hands due to vertical element on the sides.
- Made out of thin wooden plates (Walnut or similar) → regrowing material!
- Maybe a second version for injection molding

The wooden FinMouse!

Top-view (golden ratio)

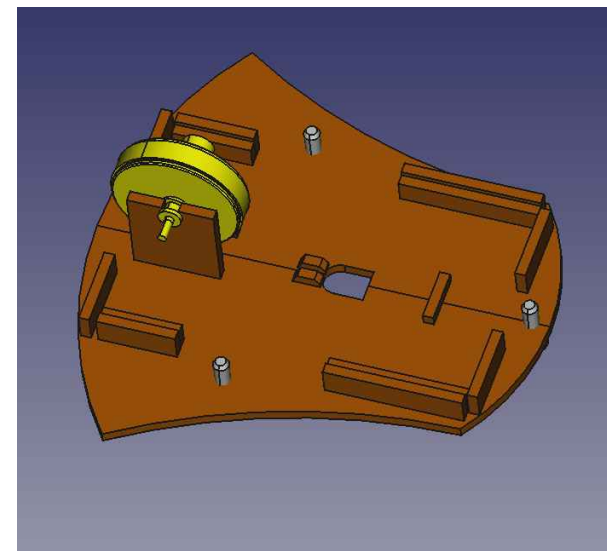
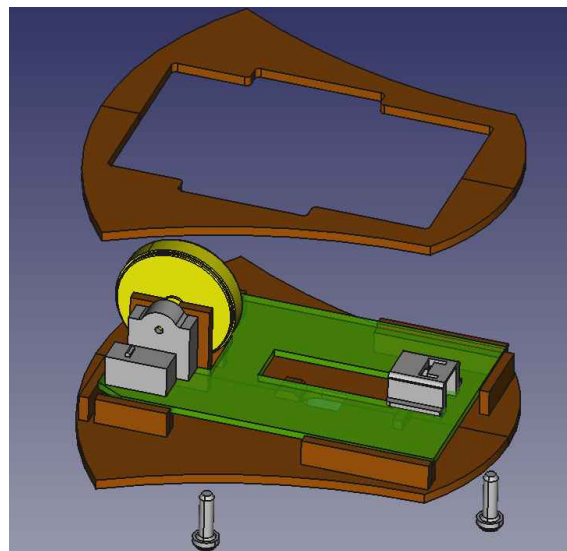
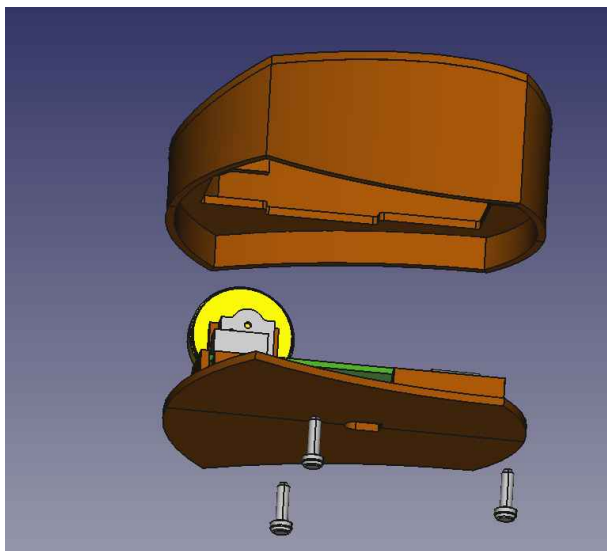


Siede-view

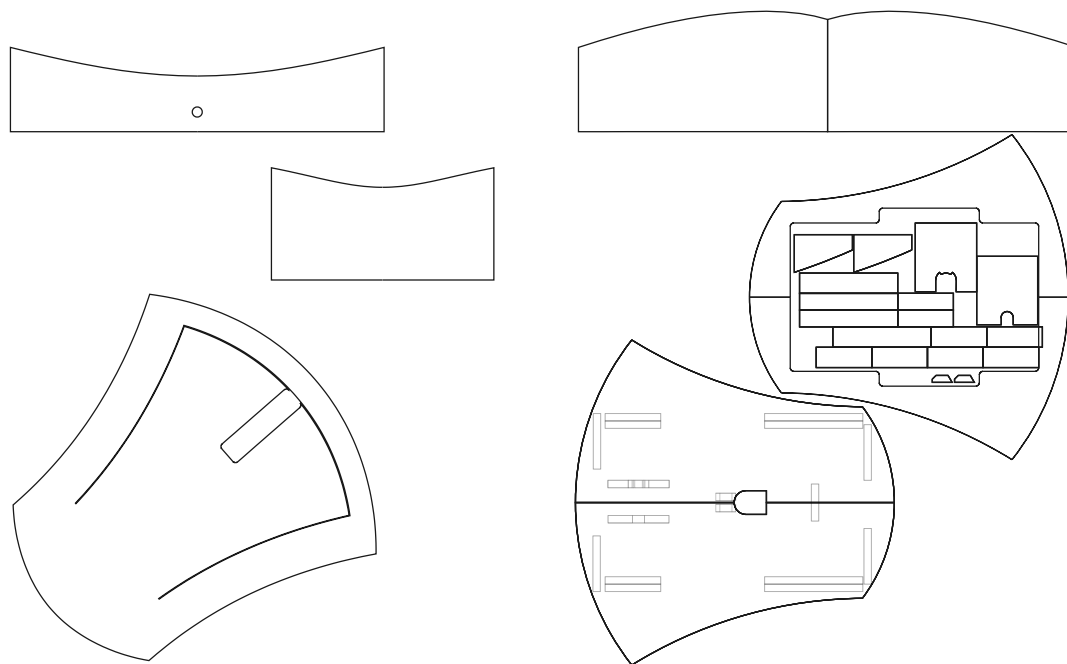


The wooden FinMouse!

- Screwed
- Parts glued from the inner part to reach the electrical switches



The wooden FinMouse!

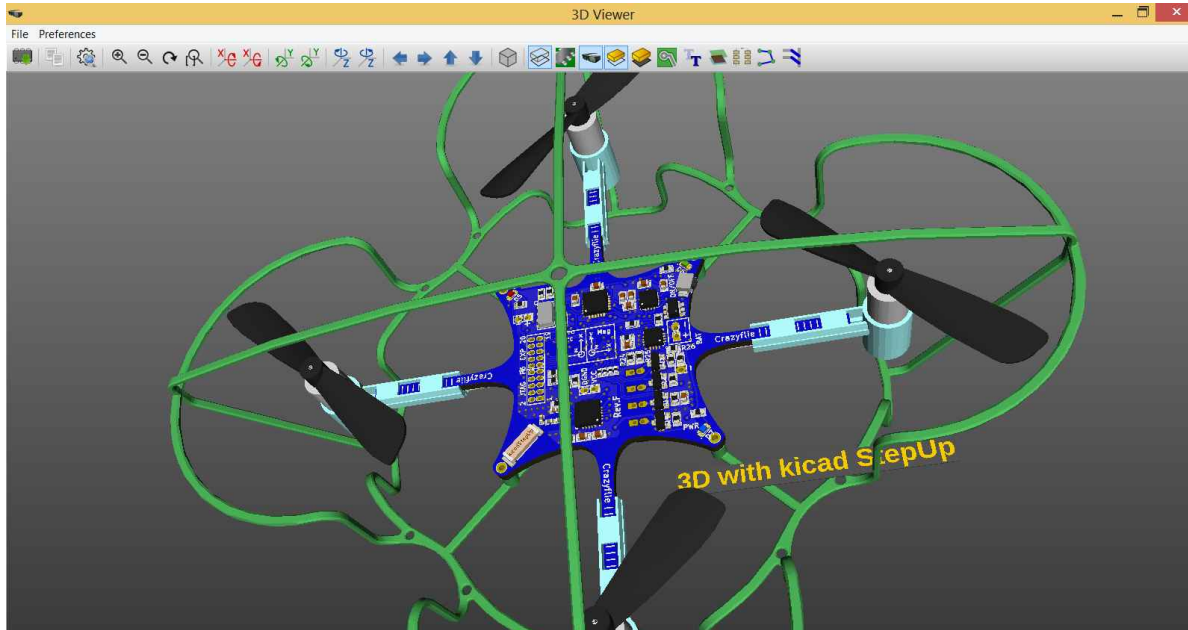


- Profile for laser-cutting exported by FreeCAD ([surface flattening](#))
- Edges are sanded into the right angle
- [Steem-bending](#) to curve the wood
- (Hot-) glued for stability

Appendix



Combine PCB-Layout and 3D-model in one file:
KicadStepUp Workbench



<https://wiki.freecadweb.org/File:ECAD-MCAD-collaboration.png>



Fully classify the mouse as open-hardware and gain interest of other communities

Suggestion for license

To hardware some other open-source licenses than the creative commons (artwork) may be better suited:

<https://de.wikipedia.org/wiki/Open-Source-Hardware#Open-Hardware-Lizenzen>